

Front points for crampons (Competition version)

Assembly and safety instructions for
mountaineering equipment, suitable for crampons: Petzl D-Lynx



Product designation: Front points
Type designation: 18PSv1
Serial number: 001 to 999
Year of manufacture: 03.2018

Please read the instructions carefully and keep them for further reference.

The front points "18PSv1" were tested according to EN 893 and archived with the corresponding documents.

When using the front points "18PSv1" on the crampons, please observe the assembly instructions of the manufacturer of the respective crampon.

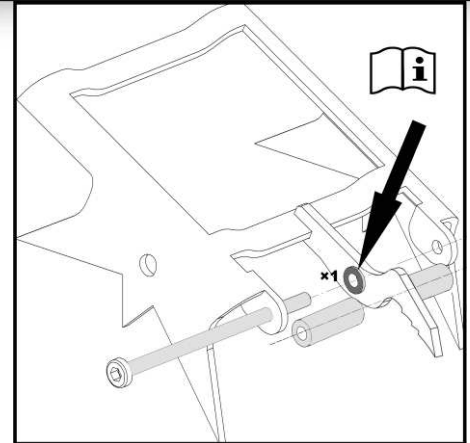


Figure 1

1. Intended Use

Personal protective equipment (PPE)

The front points are designed for installation in the crampons of the brand **Petzl** and are suitable for climbing in competitions on plywood.

The product must not be burdened beyond its limits.

It may only be used for the purpose for which it was designed.

2. Safety Instructions

Improper use and disregard of any of these warnings can result in serious injuries or even death.

Please only practice this sport with an adequate training.

The personal risk and liability for any damage to property, personal injury and fatal accidents is the sole responsibility of the user.

Mountaineering is dangerous by nature. The user must be able to act properly and professionally in an emergency situation.

Before using this equipment, consider whether you can perform a rescue in case of emergency.

If, while using the product, you see yourself unable to bear the resulting risks, you must not use this equipment.

You are solely responsible for your personal actions and decisions.

Check the product for cracks, deformation, corrosion or any damage after each use.

3. Instructions for Use

Before each use, check the correct fit of the front points in the crampon as well as the crampon on the shoe.

The instructions for the crampons of Petzl* Company must be observed!

To remove the front points from the ice, pull the crampons up and down with alternating movements.

Under no circumstances should the front point be moved sideways to release it from the ice or plywood. Due to wear, aging or other events, the product may fail, causing a significant risk of falling. If you are no longer sure whether your product is still in perfect condition, please contact us using the contact form on the website www.sport-steinle.com.

www.sport-steinle.com.

4. Maintenance

The front points are maintenance-free. However, the maintenance instructions for crampons must be observed and adhered to.

5. Additional Information

This Frontpoints are only for competition use! It is forbidden to use them in alpine terrain!

Storage: Front points, crampons and general climbing equipment should be stored in a well-ventilated, dry and dark room away from direct sunlight. Do not disregard the equipment.

Any contact with acid, dirt, aggressive substances or temperature fluctuations shortens the lifespan of the product.

In case of doubt, reject the equipment.

The **service life** of our product is unlimited, but the user instructions, wear limits and storage conditions must be observed.

Transportation: To protect the product during transportation from chemicals, damage, and dirt, use appropriate transport bags or containers.

Rust on the tips is not a reason for complaint. Our products are rust-protected by a thin nickel layer. However, this may wear off over time when used. To reduce the formation of rust, it is recommended to coat the rust spots with oil or fat.

Sharpening: The front points must be sharpened only with a hand file; a file with diamond coating is recommended.

Machine grinding is prohibited as overheating quickly occurs, which can alter metal properties.

Cleaning: Rinse thoroughly with lukewarm water and dry.

During assembly: The front points are supplied with **2 compensation washers** (1 each per front point); these washers must be installed during assembly. Pay attention that the front points have no lateral play on the screw. All balancing sleeves and washers must press together. If the screw is tightened despite play, platform tensions arise, which can lead to a break. The washers are installed as shown in "Figure 1" for each crampon. In case of assembly difficulties, please contact us.

6. Liability

The manufacturer **Bergsport-Steinle** assumes **no liability** or accidental consequences, as well as any type of damage that can be attributed to the use of your products.

EC DECLARATION OF CONFORMITY for Class 2 PPE accessories

The manufacturer: Bergsport-Steinle Company
Email: info@sport-steinle.com
Address: Bajuwarenstraße 58, 81825 Munich, Germany

hereby declares that the front points 18PSv1 comply with the provisions of the EN 893 standard and are intended for installation in the crampons type: Petzl D-Lynx.

Munich,
31.05.2018

Michael Steinle
Chief executive officer

Signature

Markings on the product:

Non-observance of the installation and safety instructions may result in death!



This Frontpoints are only for competition use! It is forbidden to use them in alpine terrain!



Date of manufacture
Type / Model number

03.2018
18PSv1

Conformity marking



**Petzl is a stand-alone brand that has not manufactured, endorsed or approved this product.*

**This product is neither produced nor distributed by Petzl.*

Every purchaser and user of this equipment is free to read through this manual.